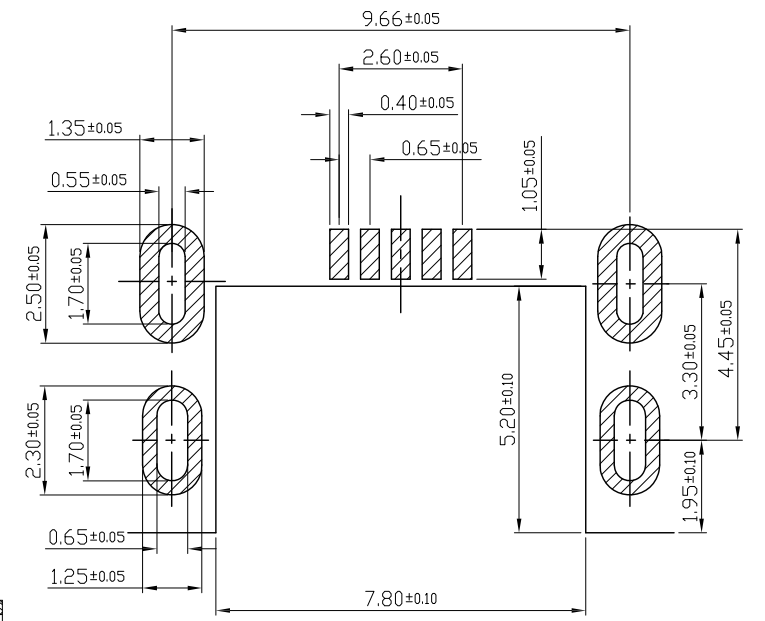
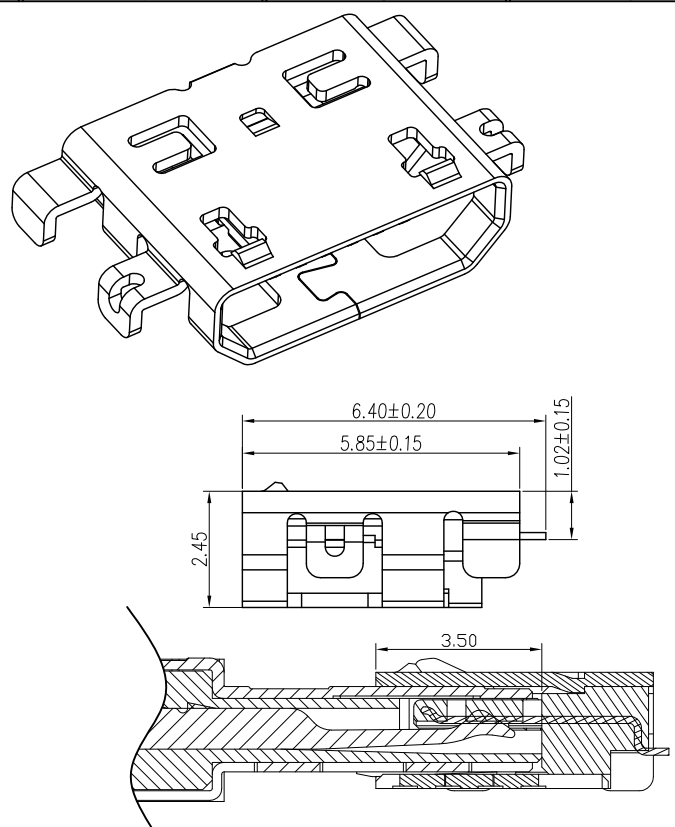
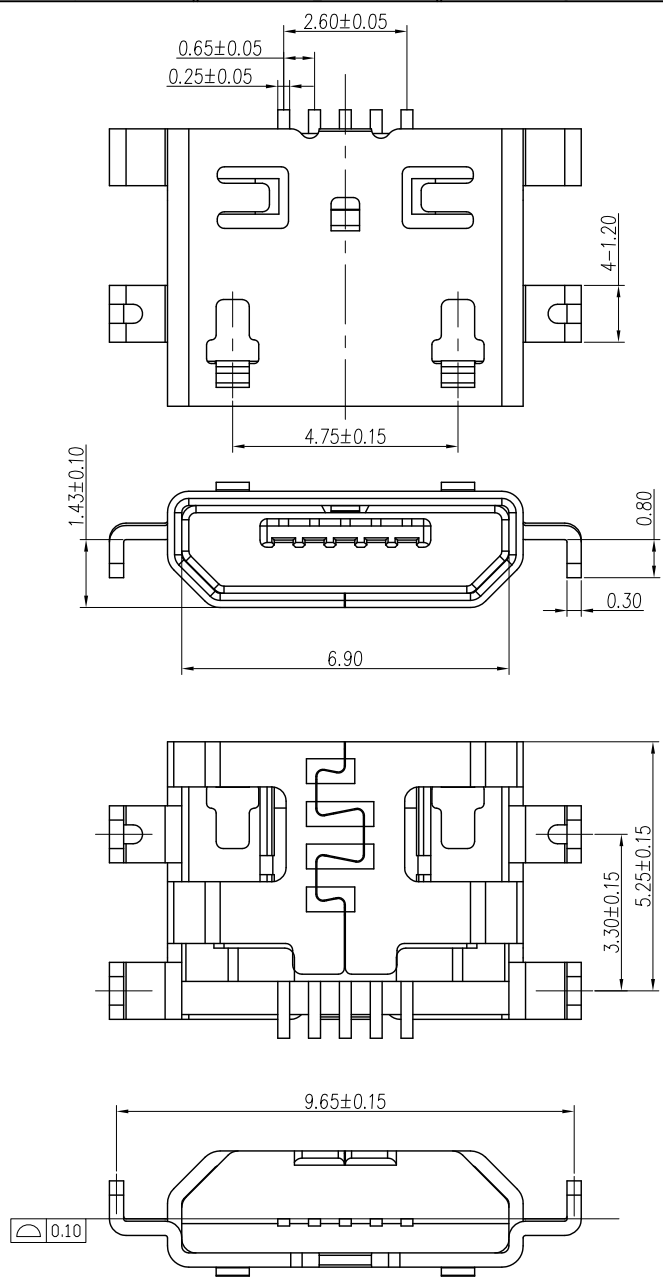


REV.	ECN.NO.	MODIFY.CONTENT
------	---------	----------------



RECOMMEND PCB LAYOUT
GENERAL TOLERANCE ±0.05

: PAD AREA
 : KEEP OUT AREA

MATING

NOTES:

- MATERIAL:
 - HOUSING: THERMOPLASTIC FLAMMABILITY RATING UL94V-0 (LCP S475 BLACK)
 - CONTACT: COPPERY ALLOY(C7025)T=0.15mm
 - SHELL: STAINLESS STEEL(SUS304)T=0.30mm
- FINISH:
 - CONTACT:
 - 3u"Min. PLATED ON CONTACT AREA
 - G/F PLATING ON SOLDER TAIL AREA
 - 50-80u" NICKEL UNDERPLATING OVERALL
 - SHELL:
 - 30u"MIN NICKEL PLATING OVERALL
- SPECIFICATION:
 - CURRENT RATING: 0.5A(2.34CONTACT)/3A(1.5CONTACT) MAX.
 - VOLTAGE: 30 VAC
 - TEMPERATURE RANGE: -30 °C ~ 85 °C
 - CONTACT RESISTANCE: 30 MILLIONHM MAX.
 - DIELECTRIC WITHSTANDING VOLTAGE: 250 VAC r.m.s
 - INSULATION RESISTNACE: 100 MEGOHMS MIN

U137-CF05F014**

- 08: 功能区镀金1U", 锡脚Gold Flash
- 09: 功能区镀金3U", 锡脚Gold Flash
- 10: 功能区镀金5U", 锡脚Gold Flash
- 11: 功能区镀金15U", 锡脚Gold Flash
- 12: 功能区镀金30U", 锡脚Gold Flash

GENERAL TOLERANCE	DWG.NO.	U137-CF05F01400	PART.NO.	U137-CF05F014**	DRAWN	L.M.J 2018.08.06
x.±0.50	REV.	A	TITLE	Micro USB 沉板1.43(无翻边)	CHECKED	
.x±0.25	SIZE	A4	SHEET	1 OF 2	APPROVED	
.xx±0.15	A4					

OLN 东莞市欧联电子科技有限公司
DONGGUAN OLN ELECTRONICS TECHNOLOGY CO., LTD.